

NEW

BI-POT® "PREMIUM QUALITY"



NEW



The sturdy portable toilets with scratch-resistant tanks. Easy to transport and to empty. Support twice as much weight as the competitors'

BI-POT 30

BI-POT 34

BI-POT 39



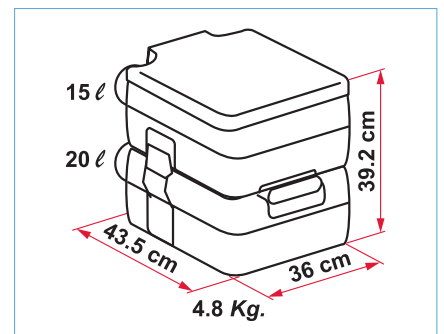
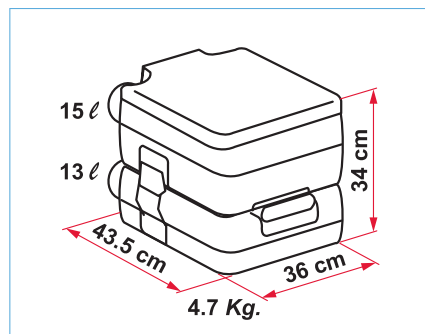
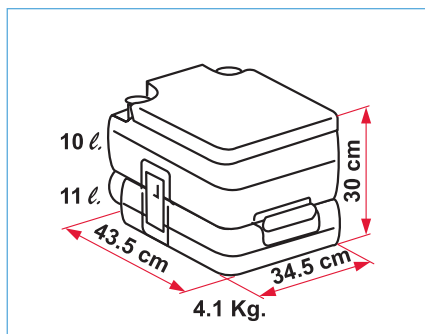
SMALL



MEDIUM



LARGE



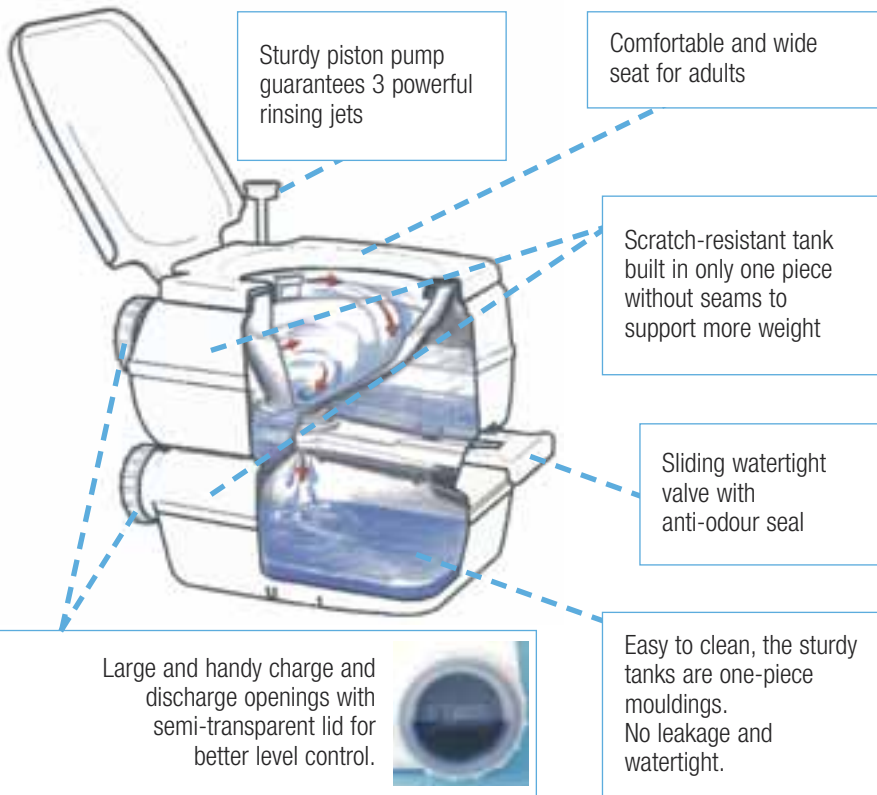
BI-POT®

**100% Hygiene for the sake of your health.
New and elegant design!**



NEW

The new and improved strong Fiamma portable toilet, available in 3 models of different dimensions. Fiamma Bi-Pot® is a simple, strong self-contained fresh water flush portable toilet. A very simple system that is both strong and easy to clean. Compact, it can be completely dismantled, including the valve, for thorough and total cleaning. Sturdy and solid handle for easy transportation. Large waste cap: no drainpipe, emptying is easy and hygienic, no clogging. Each tank is electronically tested for a perfect seal. Handy side clips to connect the upper and lower tanks. Colour: Grey. Bidet available as an optional extra.



Italian Patent 1126170
Design Patent 920/0007
Utility Model M9209391.4
German Utility Model 202 12 999



Bi-Pot 30: smaller dimensions, easy and convenient to place anywhere. Ideal for Minivans. Waste tank with convenient handle for easy transport.

Item No.	Model	Upper tank	Lower tank	Weight	Dimensions
01356-01-	Bi-Pot 30	10 l	11 l	4.1 kg.	43.5x34.5x30h cm
01354-01-	Bi-Pot 34	15 l	13 l	4.7 kg.	43.5x36x34h cm
01355-01-	Bi-Pot 39	15 l	20 l	4.8 kg.	43.5x36x39.2h cm

1 **Solid and practical piston pump** that guarantees three powerful rinse jets. Can be dismantled completely.

2 **Easy hooking**
The only one with sturdy side hooks in stainless steel !

3 **External Air valve**
Completely external for easy maintenance.

4 **Sturdy collecting tank**
Seam-free one-piece construction. Absolutely no possibility of leaks.

HOLD-DOWN BRACKETS
Pair of inox hooks to fix the Bi-Pot 30 to the ground. Ideal for minivan and boats.



Item No.
98659-040

BI-POT® Accessories



Super Kem Blue concentrated



SUPER KEM BLUE

Expert campers recommend it as the most powerful detergent for fixed and portable toilets.

Practical 2 lt. bottle with convenient transparent level indicator makes dosage easy, **The only detergent with security seal.**

New concentrated double-action formula that continues working wherever you go and in any weather condition.

Disintegrating, deodorizing, sanitizing, pleasantly scented fluid containing anti-freeze for temperatures to -20°C. Eliminates bad odours. 90% biodegradable.

Essential for kassett and portable toilets. Keeps the tank clean.



New transparent level indicator, makes dosage easy.

Item No.

97310-022

**Phosphate free.
Non-Formaldehyde.
Not irritant.
In accordance with European
648-2004 regulation.**



Super Kem Blue detergent to make your holiday pleasant.



SOFT 6

It won't clog up tanks or waste valves

Special 2-ply soft toilet tissue, specially formulated for fixed and portable toilets.

Stronger and softer tissue dissolves quickly in water. 300 sheets. 6 roll pack.



Great savings packaging!

Item No.

97312-010

**Pure watersoluble
wadded cellulose
6 ROLLS FOR THE PRICE OF 4**



Essential for Motorhome



BI-POT® Accessories



Transparent level indicator

SUPER RINSE

For portable or fixed toilet fresh water tanks

Scented anti-mildew bactericide for chemical toilet fresh water tanks. Anti-algae.

Effective rinsing operation. Cleans and protects the bowl. Available in 1l bottle. In accordance with European 648-2004 regulation.

Item No.

97310-080



Transparent level indicator

SUPER FRESH

CONCENTRATED Eliminates unpleasant odours

Effective deodorant detergent for grey-water tanks and the entire sanitary system. Completely biodegradable. Non-foaming action. Ideal for winter storage. Available in 1l bottle, sufficient for 800 litres of water. In accordance with European 648-2004 regulation.

Item No.

97310-075



TOILET BRUSH PRO

New toilet brush holder designed specially for motorhome bathrooms. Compact, it takes up very little space in the corner of the bathroom.

The big bristle brush cleans efficiently without scratching. Colour: White.

Item No.

98659-035



BATHROOM FITTINGS

- 1) **CUP:** cup-holder and cup 03380-01-
- 2) **SOAP DISH:** 03381-01-
- 3) **CUP - Toothbrush holder:** complete with cup and compartments to place the toothbrushes 03382-01-
- 4) **TOWEL BAR:** complete with 4 towel hooks. 03383-01-
- 5) **TOILET PAPER HOLDER:** 03523-01-
- 6) **TOILET BRUSH:** brush with container essential for all types of toilets. 98659-025



Italian Patent: 1154807

BIDET

Universal

for all Bi-Pot® types; also adapts to Thetford® Porta Potti®, Cassette 1, 2, 3 and 4.

Bidet 200

only for swivelling Cassette 200 Thetford®

Model

Item No.

Universale

03483-01-

Bidet 200

03483A01-

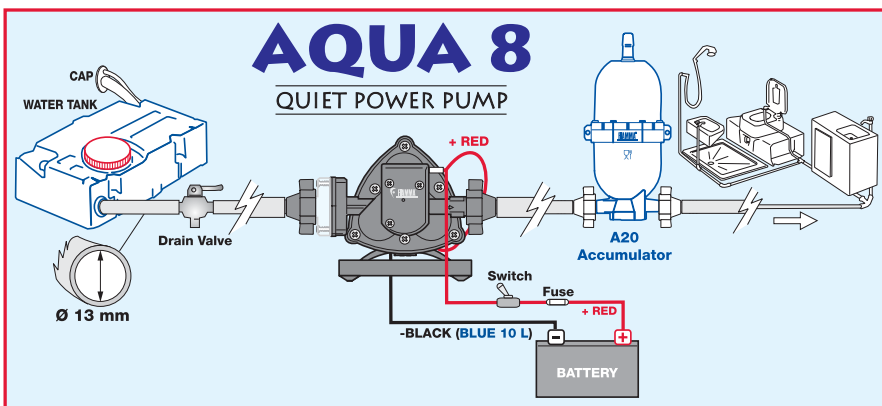
AQUA® 8



Even more quiet



Italian Patent: 1221254 - German Utility Model 201 09 722.2



The only self-priming pump with incorporated filter and anti vibration Silent Plate included.

The intelligent pump that uses half the consumption of others.

New improved self-priming pump. It will pump water vertically over 3m with no priming. Complete with **Silent Plate** which eliminates vibrations. The stainless steel filter prevents impurities from entering and is easily cleaned so the pump lasts longer. An automatic pressure switch starts and stops the pump by opening and closing the valve. Non-toxic materials are used for all parts of the pump that come into contact with water. The pump is resistant to limestone deposits and oxidation. It can run dry without damage. The pump can operate in any position, but we recommend installation by placing the motor on top and the head below to prevent possible damage caused by leaks. Install on a solid surface to reduce noise and vibrations.

Easy maintenance: all its components are easily replaceable. New improved base plate with sound-absorbing feet that can be interchanged with previous pump models. Angle and straight connectors for Ø 13mm pipes included.

Standard version with Pressure switch intervention to 1.5 Bar for cumulating Truma boilers.



NEW

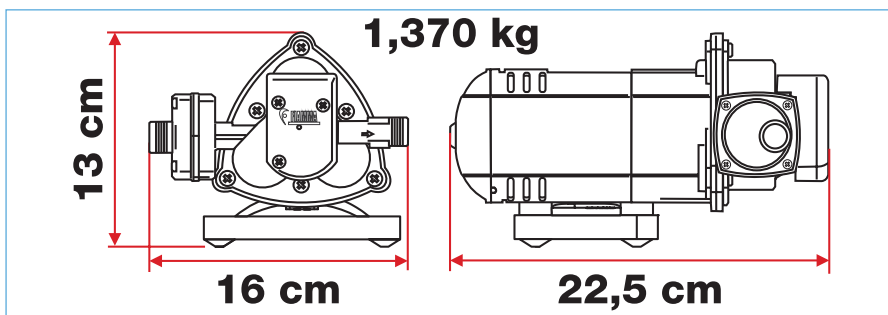
New Versions

Aqua 8 with pressure switch intervention to **1.1 Bar** for cumulating boilers (as Carver).

Aqua 8 with pressure switch intervention to **2.1 Bar** for instantaneous water heaters.

AQUA[®] 8

The perfect spare pump interchangeable with others



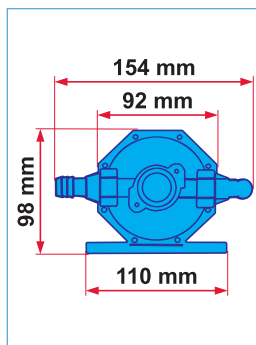
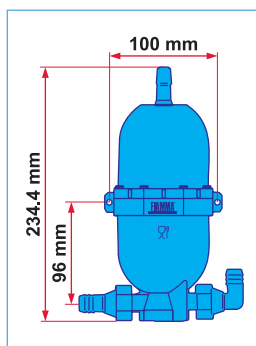
Anti vibration Silent Plate included

	01216C01-	01216B01A	01216C01A	01216L01-	01216L01A
Power Supply	V=	12	12	24	12
Absorption (A)		1,4	3,4	0,5	1,4
Max. flow (l/min.) at 0 bar		7	10	7	7
Noise level (db)		55/60	65/70	55/60	55/60
Pressure switch interv. (Bar)		1.5	1.5	1.5	1.1
Pressure switch interv. (Psi)		21.75	21.75	21.75	16

A20



AQUA 8 can feed several points of distribution and with A20 you can save up to 28% of electricity!



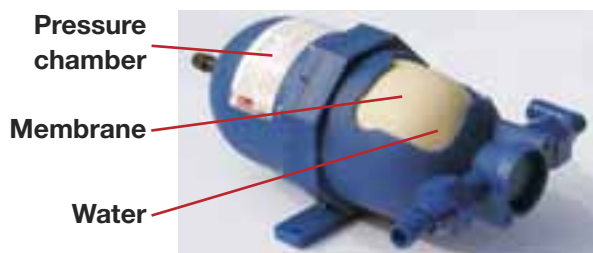
The universal expansion tank saves water and electricity and is suitable for all pressure switch pumps. Increased performance for half the price.

Ideal addition to AQUA 8, previous models and all other types of pressure switch pumps (for example Shurflo and Flojet).

The new expansion tank eliminates the pulsating operation of pressure switch pumps and supplies a constant flow of water in the required quantity.

It extends the life of the pump and boiler and cuts water consumption. The internal pressurized diaphragm provides a smooth, surge-free flow. The A20 can be dismantled for diaphragm operations.

It is precharged at 0.9 bars (13 psi) but it can be charged with the special valve with a normal compressor so it can be adapted to all pressure switch pumps on the market.



Item No.
02478-01-

TANKS



ROLL-TANK® 23 W

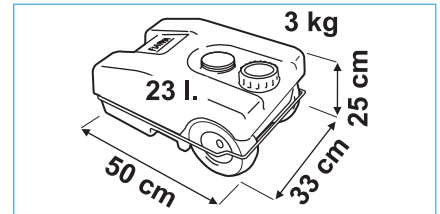
New practical and portable 23l waste water tank with total discharge cap. Compact size (fits through normal vehicle doors), grey colour. Threaded cap with level indicator (P) can be supplied upon request.



► Roll-Tank 23 W with Tank Flex.



Total discharge cap and no-noise rubber wheels

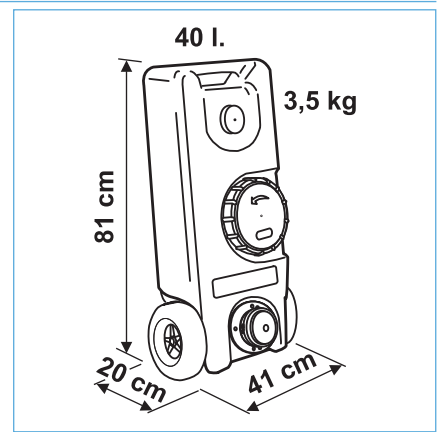


Item No.	
02428A01-	



ROLL-TANK® 40 W

40l waste tank with level indicator and air release valve. Filling and discharging are performed through a Sanitary-Flex drain tube (not included). 45° angle adapter for discharge is included. Same size as Roll Tank 40 F (page 105).



Item No.	
02428-01-	



Tank 21 W

TANK® 18 W - 21 W

18l or 21l waste tank with air valve and bayonet connection to the Sanitary-Flex drain tube (not included). Colour: grey.



Tank 18 W

Model	Item No.	Dimensions	Weight	Liters
Tank 18 W	01684A01A	50x37x18 cm	1.7 kg	18 l
Tank 21 W	01684-01A	50x33x25 cm	1.6 kg	21 l



TANK-FLEX

Flexible hose that can be extended to 90cm. Delivered with threaded cap. Diam. Ø30mm.

KIT SANITARY FLEX

Flexible hose extendable 75cm, with two fittings, one for the connection with Roll-Tank 40W, Tank 21 W and Tank 18W and the other in stainless steel for an additional connection with the valve of your motorhome.



Item No.	
98659-030	

Item No.	
02438-01-	

TANKS



ROLL-TANK® 23 F

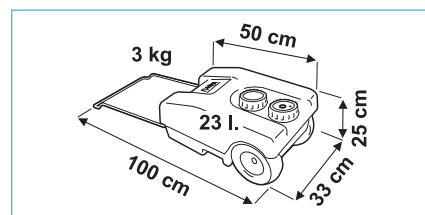
Convenient portable 23l fresh water tank with total discharge cap. Compact size (fits through normal vehicle doors), colour blue. Supplied with extra cap for immersion pump (not included).



Roll-Tank 23 F: essential for caravans and motorcaravans



Total discharge cap and no-noise rubber wheels



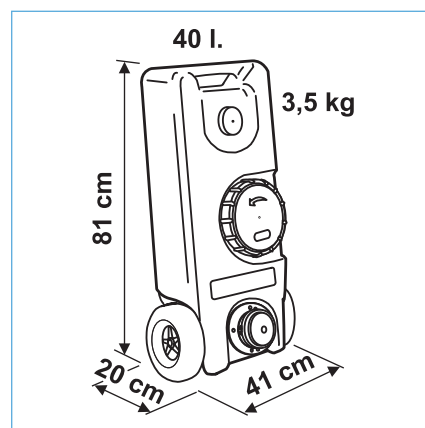
Item No.

02428A01A



ROLL-TANK® 40 F

Portable 40l drinking water roll tank with easy grip handle and two large wheels that make transportation easy even on gravel. Made of non-toxic material. Easily cleaning wide cap.



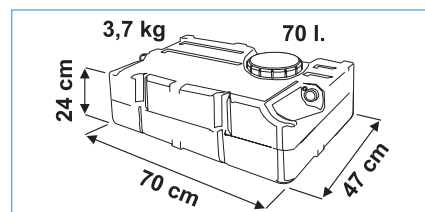
Item No.

02428-01A



TANK 70 L

70l fresh water tank made of non-toxic material. It can be installed either vertically or horizontally. Comes complete with all necessary fittings for installation. Water inlet pipe size Ø38mm and air outlet Ø13mm.



Item No.

01537-01-



WATER CAP

Locking water cap that complies with European closure system standards. Two colours available.

Model	Item No.
White	94715-010
Black	94715-005

