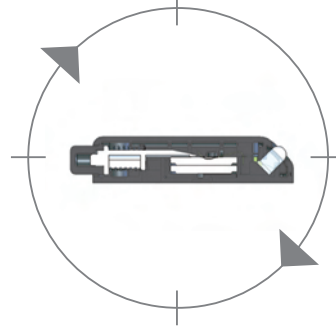


■ **LED LOCKERLITE (LK)**

- No wiring
- Easy installation
- Batteries included
- Lasts a lifetime

Internal View



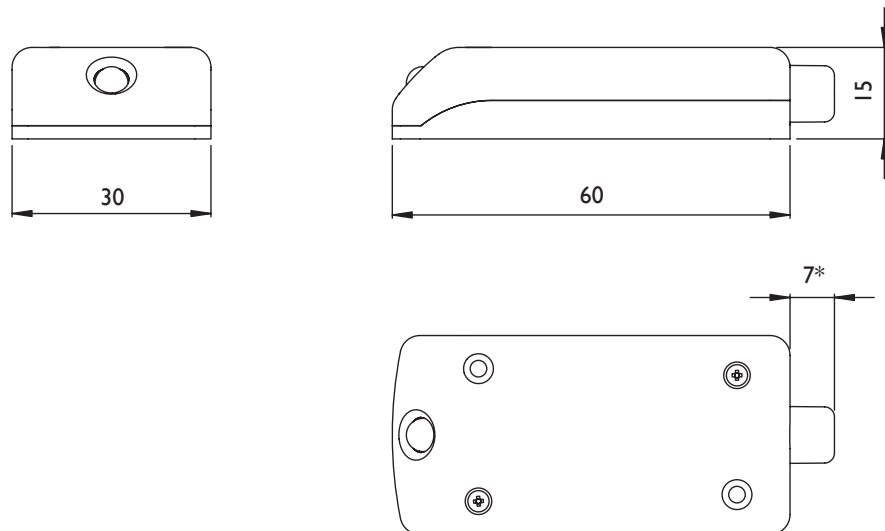
|| See technical specifications over-  
leaf >>>

## LED LOCKERLITE (LK)



The Lockerlite has been designed to illuminate storage areas such as lockers, wardrobes, display cupboards, kitchen cupboards etc., in fact any area where lighting hasn't already been fitted. This well designed compact unit uses the latest in LED technology to give you a lighting solution which lasts a lifetime. Supplied with 2 x 3v batteries, this wire free unit takes only a few seconds to install so any dark area can be illuminated quickly and easily. The Lockerlite uses a plunger on/off system which is fully automated so there's no need to remember to switch the unit on and off manually.

Available in both single and bulk packs.



CAN BE MOUNTED USING THE SELF ADHESIVE PAD PROVIDED OR SCREW MOUNTED VIA 2x

\* 7mm = Plunger length when in ON position

### SPECIFICATION

ALL DIMENSIONS HAVE A TOLERANCE OF +/- 1mm

LED LOCKERLITE (LK)

Model No		LK1 - BLACK
Supply Voltage	Vdc	6V (2x 3V CR2025 Lithium Batteries)
Voltage Range	Vdc	n/a
Average Current	A	n/a
Crest Factor		n/a
Frequency	KHz	n/a
Tube Watts	W	n/a
Lumens	Lm	n/a
Weight	grams	20
Temp' Range	°C	-10 to +40

E & OE